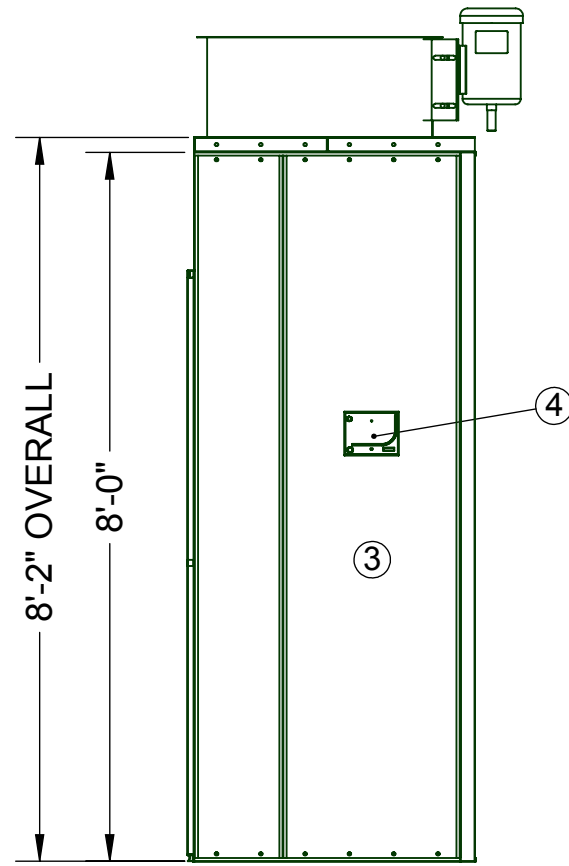
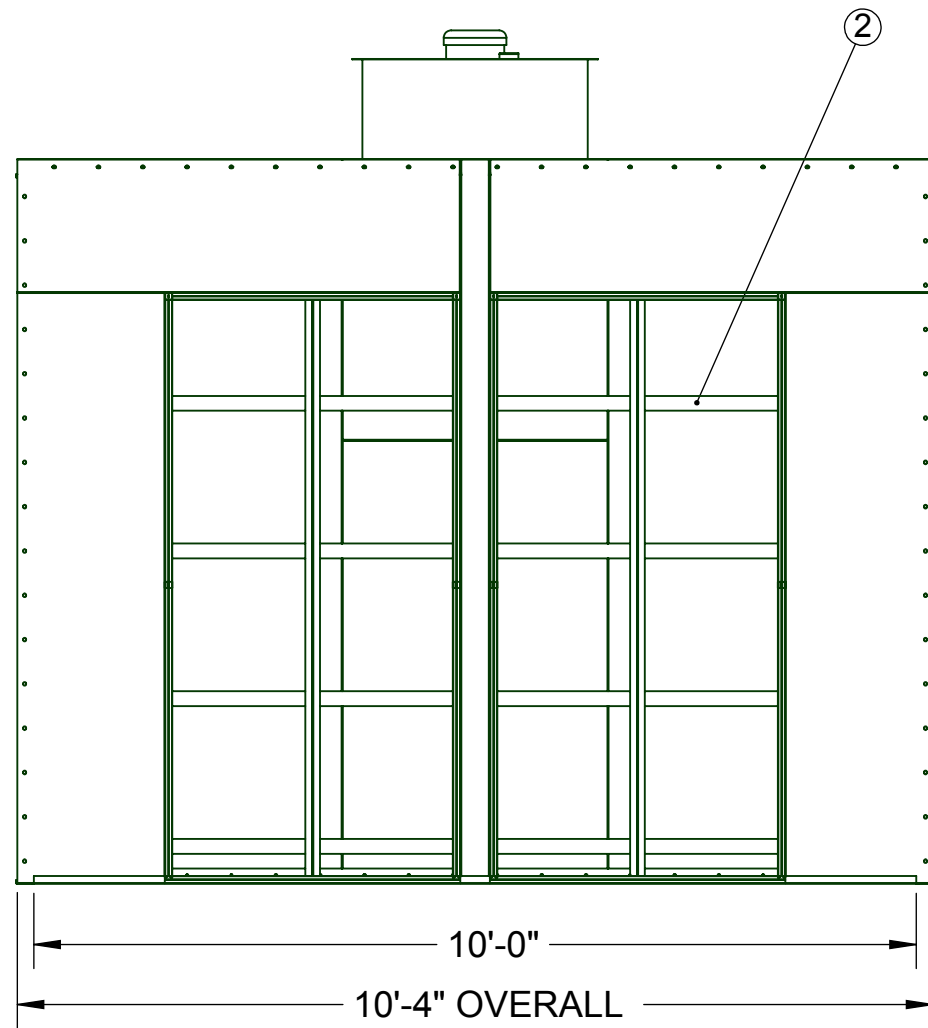


ITEM NO.	QTY.	DESCRIPTION
1	1	30Ø TUBEAXIAL FAN; RATED FOR 10700 SCFM EXHAUST @ 1/2 SP; DRIVEN BY 3 HP ODP TYPE MOTOR
2	1 LOT	EXHAUST ROLL FILTER W/ ASSOCIATED HARDWARE & TOOLS
3	1 LOT	18 GA. STEEL SHELL
4	1	MANOMETER
5	1	1/2" AIR SOLENOID VALVE (NOT SHOWN)



IBC-10-08-00-00-S

