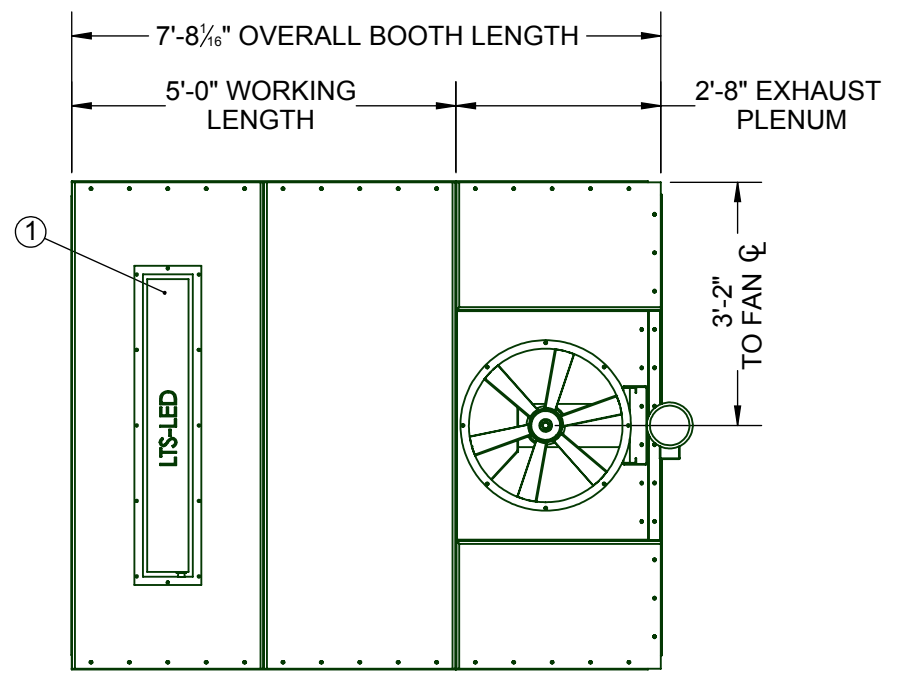
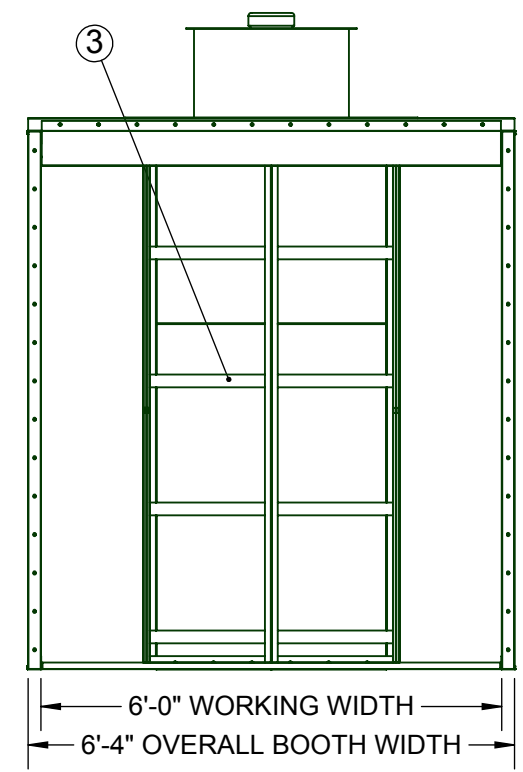


8 7 6 5 4 3 2 1

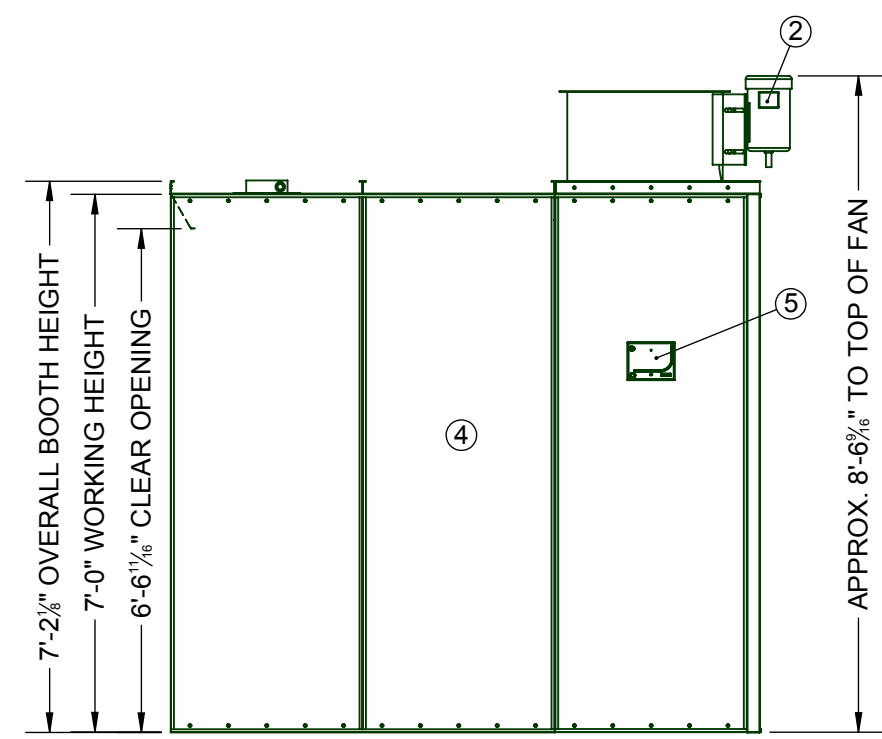
D
C
B
A



PLAN VIEW



FRONT VIEW



SIDE ELEVATION

ITEM	QTY.	Description
1	1	LTS LED LIGHT FIXTURE; 4,000 Lm OUTPUT ETL LISTED CLASS 1, DIVISION 2.
2	1	24Ø TUBEAXIAL FAN; RATED FOR 5,350 SCFM EXHAUST @ 1/2 SP; DRIVEN BY 1 HP ODP TYPE MOTOR
3	1 LOT	EXHAUST ROLL FILTER W/ ASSOCIATED HARDWARE & TOOLS
4	1 LOT	18 GA. GALVANIZED STEEL SHELL
5	1	MANOMETER
6	1	1/2" AIR SOLENOID VALVE (NOT SHOWN)

D
C
B
A

IB-06-07-05-00-S



8 7 6 5 4 3 2 1