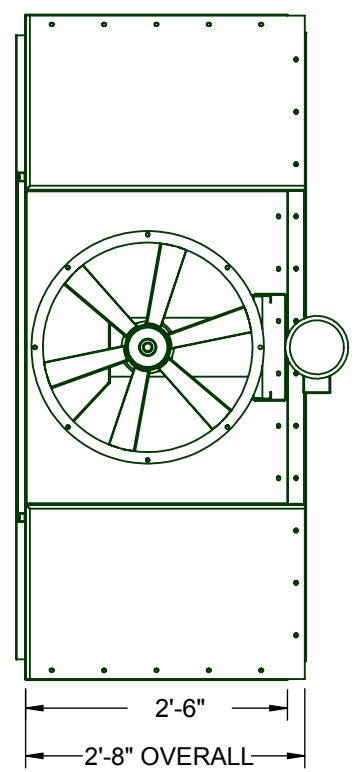
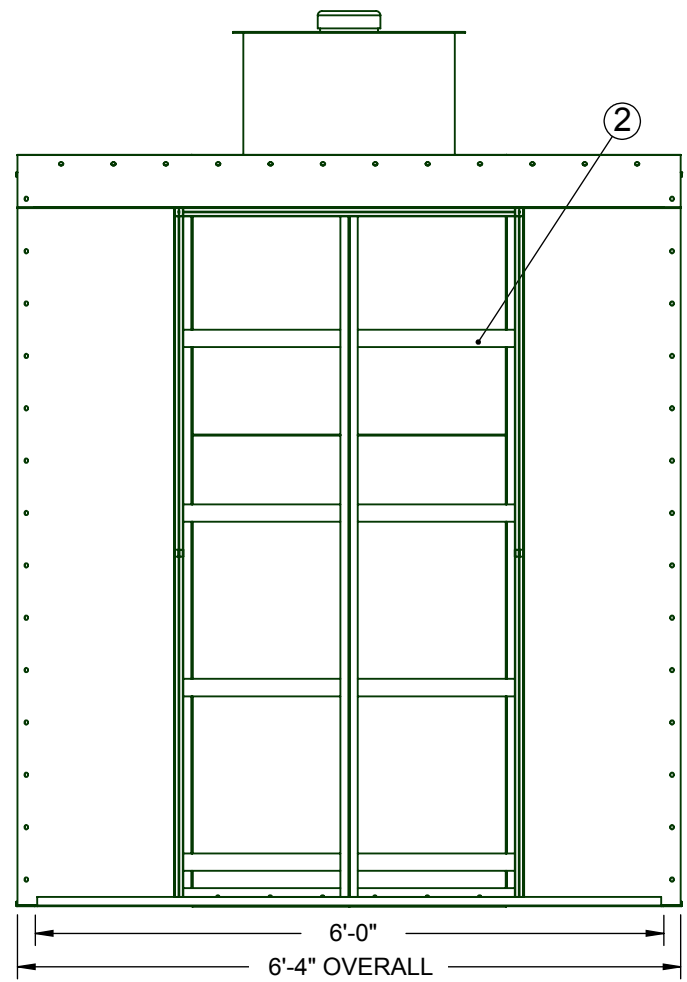


8 7 6 5 4 3 2 1

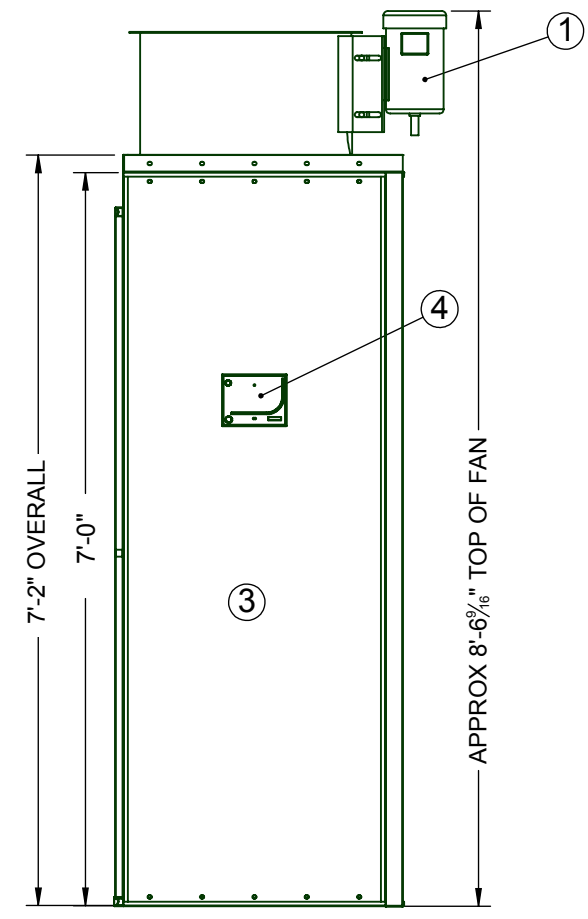
ITEM NO.	QTY.	Description
1	1	24Ø TUBEAXIAL FAN; RATED FOR 5,350 SCFM EXHAUST @ 1/2 SP; DRIVEN BY 1 HP ODP TYPE MOTOR
2	1 LOT	EXHAUST ROLL FILTER W/ ASSOCIATED HARDWARE & TOOLS
3	1 LOT	18 GA. STEEL SHELL
4	1	MANOMETER
5	1	1/2" AIR SOLENOID VALVE (NOT SHOWN)



PLAN VIEW



FRONT VIEW



SIDE ELEVATION

IBC-06-07-00-00-S

8 7 6 5 4 3 2 1